

PERDO LIFT

Perdo lift company was founded in 1999. This company has provided complete and reasonable solutions in terms of producing safety and mechanical equipment for all types of elevators.

Innovation in research and development has been considered as the main policy of the mentioned company consistently.

Perdo lift has tried to produce high quality and acceptable products.

www.perdolift.com

OVER SPEED GOVERNOR



PERDO LIFT

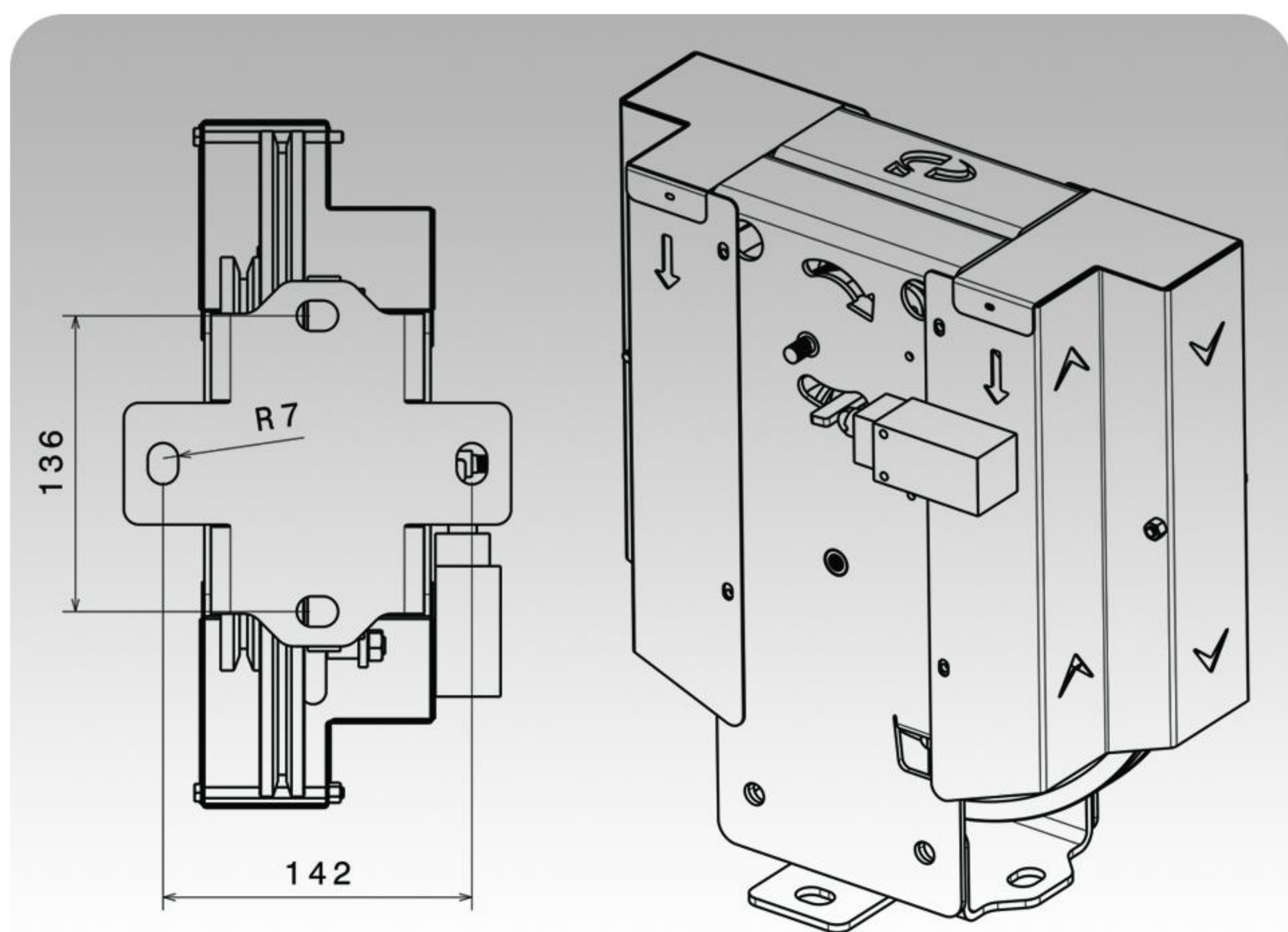
www.perdolift.com

Over Speed Governor

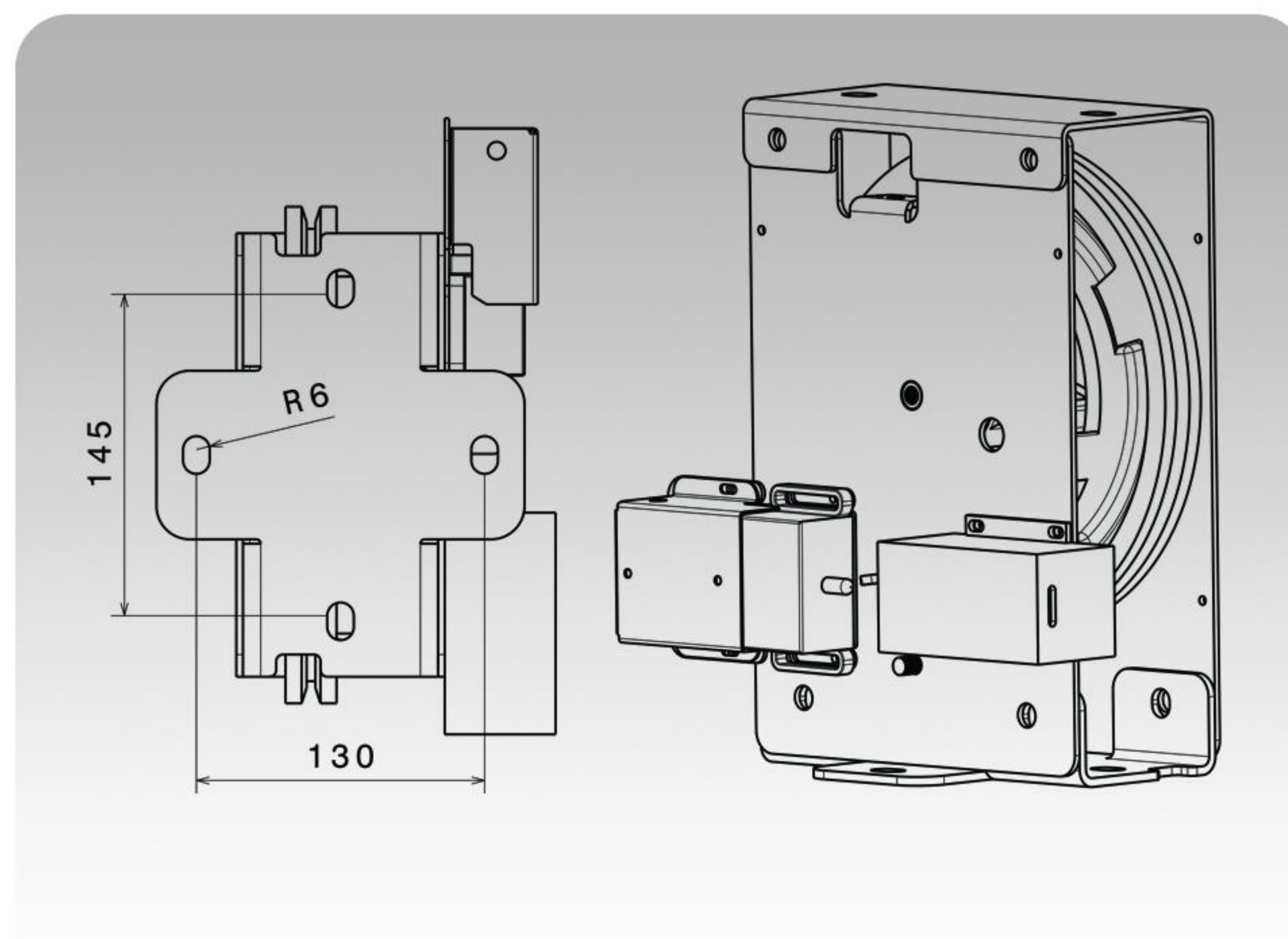
Rope wheel diameter 30cm

Wire rope:6-8mm

Nominal speed 1m/s 1.6m/s



Rope wheel diameter 20cm -30cm
 Wire rope:6-8mm
 Nominal speed 1m/s 1.6m/s 2m/s
 Rope control operation



PERDO LIFT



QAL
Quality Assessment Lia
Registration
Certificate

ATTESTATION OF
COMPLIANCE

Order NO: 20777495

Holder : Persia Lift Doulabi Co. (PL Doulabi)
Address : No. 1662, 3/64 St., Abbas Abad Industrial Zone, Pakdast, Tehran, Iran
Products Name : Elevator Spring Rope

This Attestation of Compliance is Herby Issued to the Above Named Company.
The Issuance of This Report Relate Only Based on Annex 5 Self Testimony,
Self Certified and Technical File that Prepared by Company in Below
Directive & Harmonized Standard:
2014/33/EU Lift and Safety Components for Lifts, EN 13411-7, EN 13315, DIN 43

This Device Has Been Shown to be in Compliance Only in Accordance with the
Technical Files that Prepared by Company.

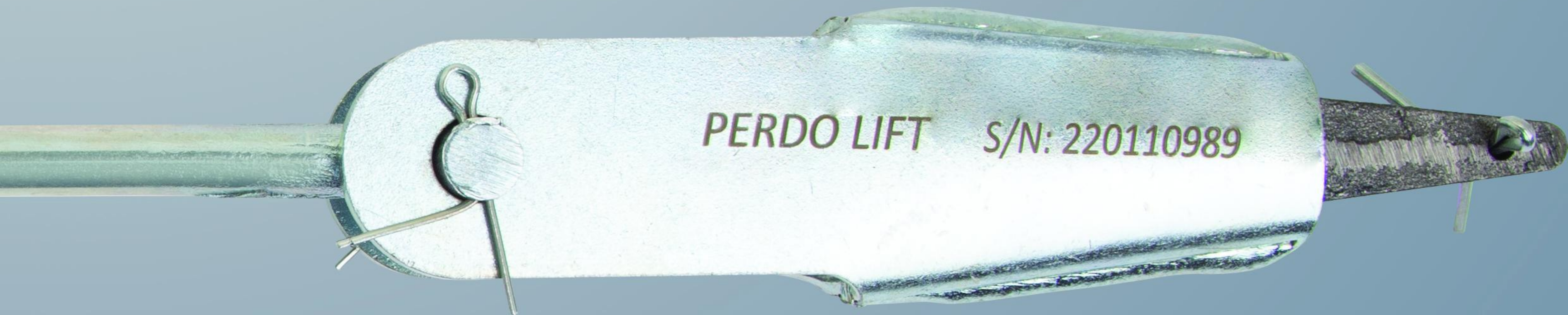
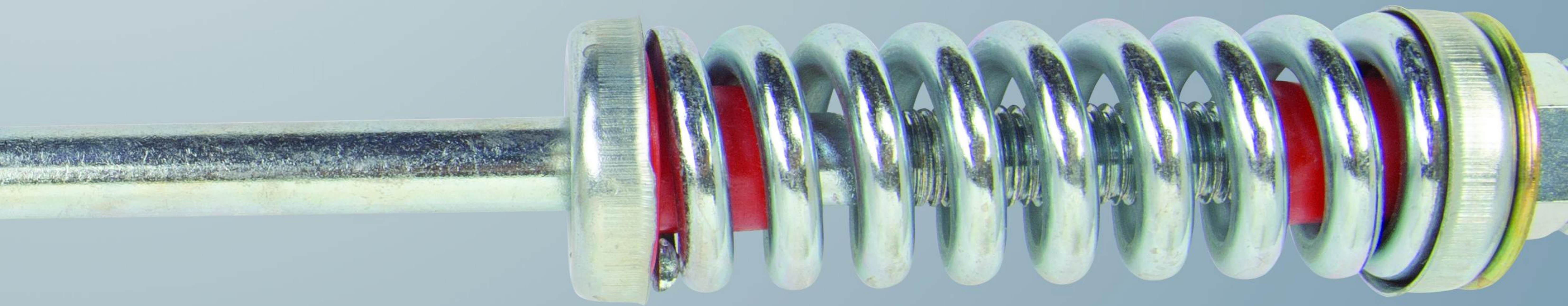
Date of Issue: 03-Feb-2020
Expiry Date: 03-Feb-2023



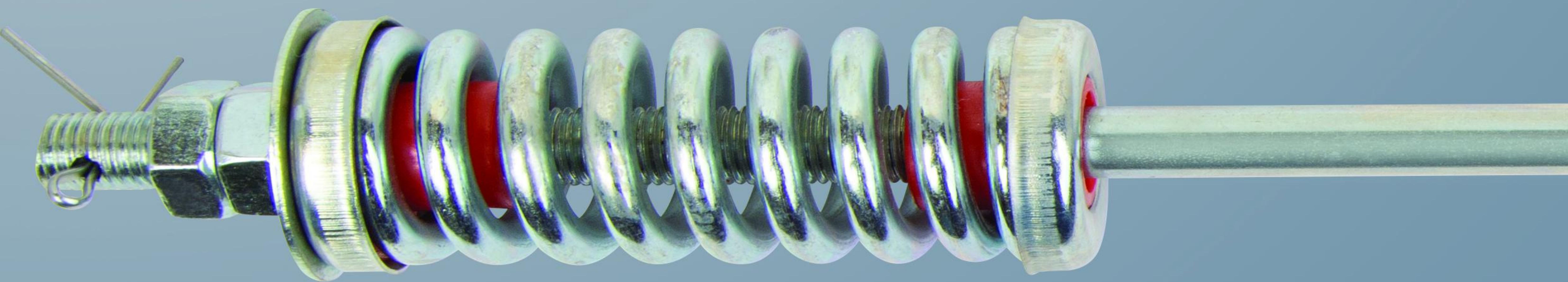
ROPE FASTENING



PERDO LIFT
S/N: 220110973



PERDO LIFT S/N: 220110989



PERDO LIFT

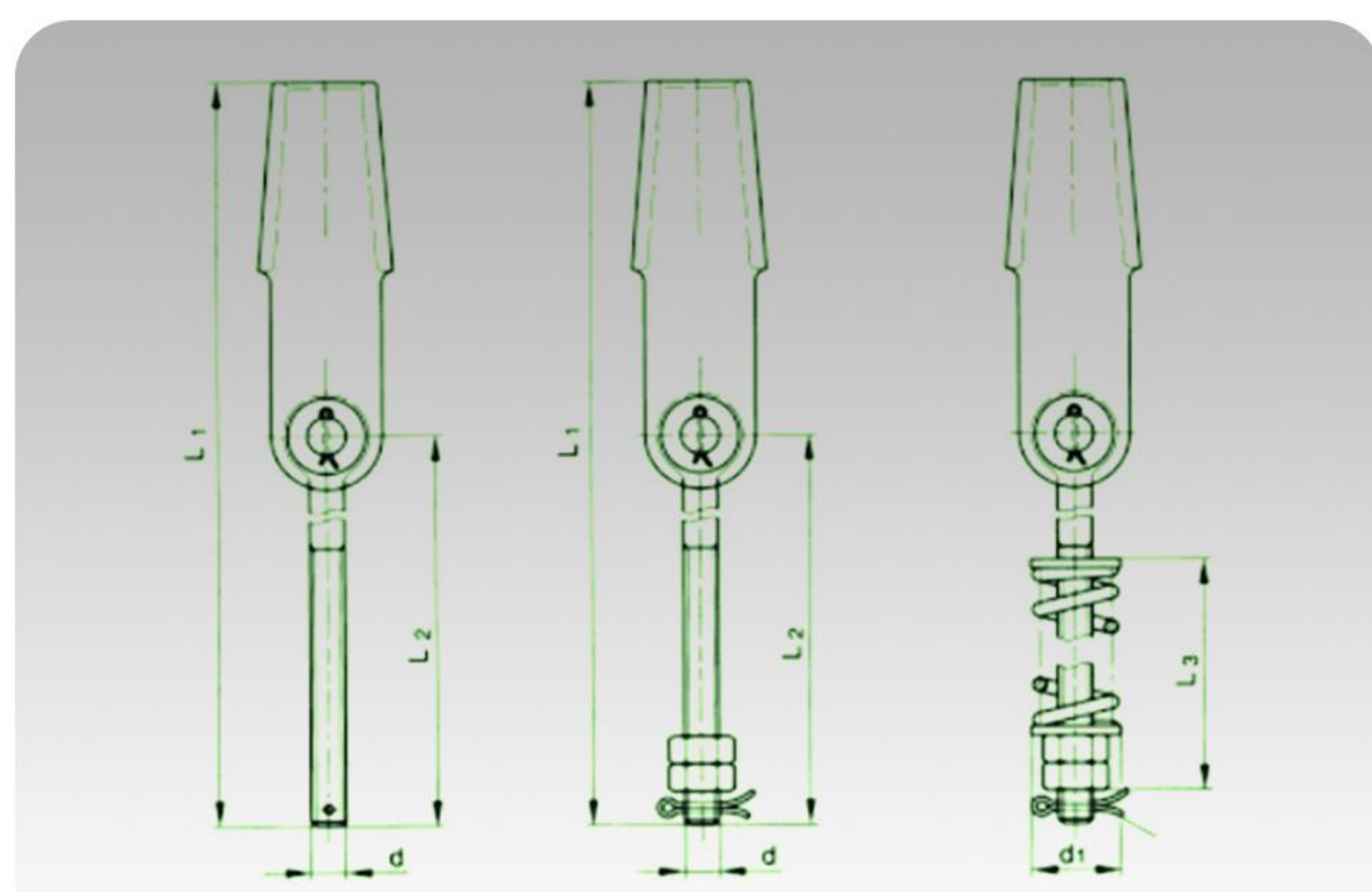
www.perdolift.com

Rope Fastening

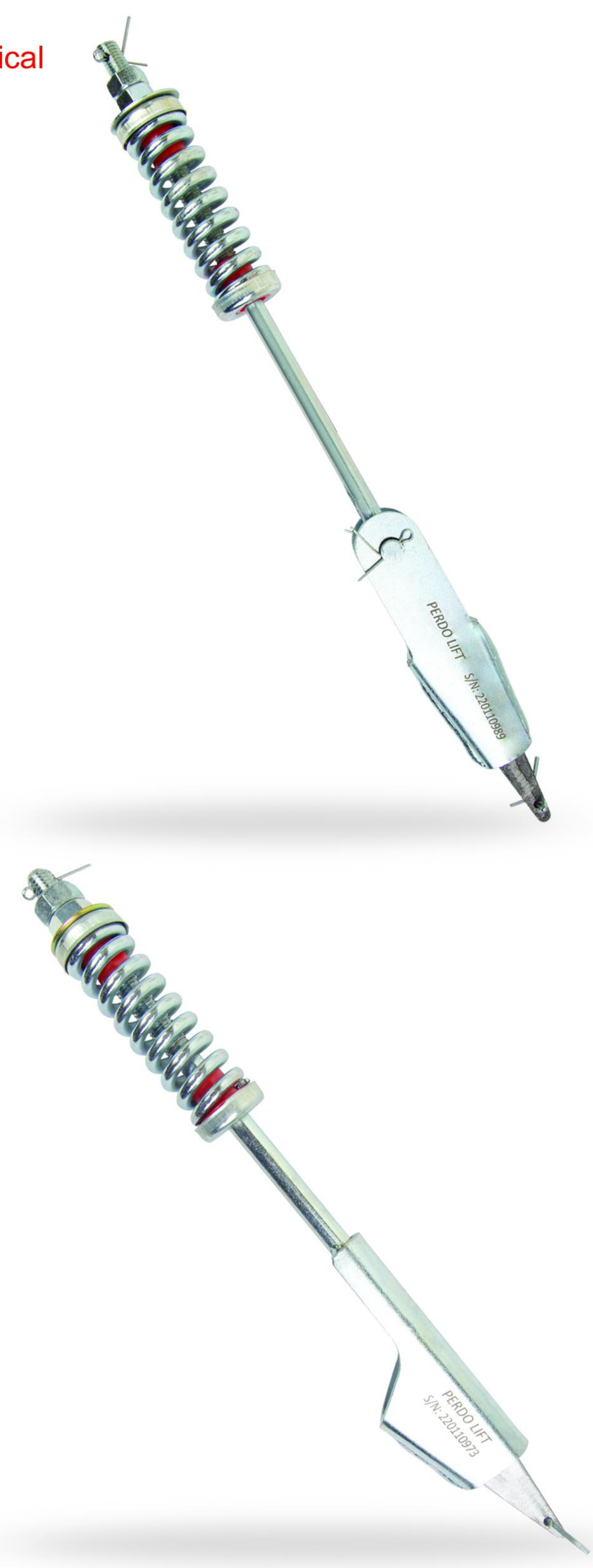
Rope fastening acc. to en 13411 in combination with our eye bolts fulfil the requirement of en 81-1, to withstand at least 80% of the minimum breaking force even. Rope termination are to be secured against rotation.

The best and highest quality producers of mechanical parts and elevator safety

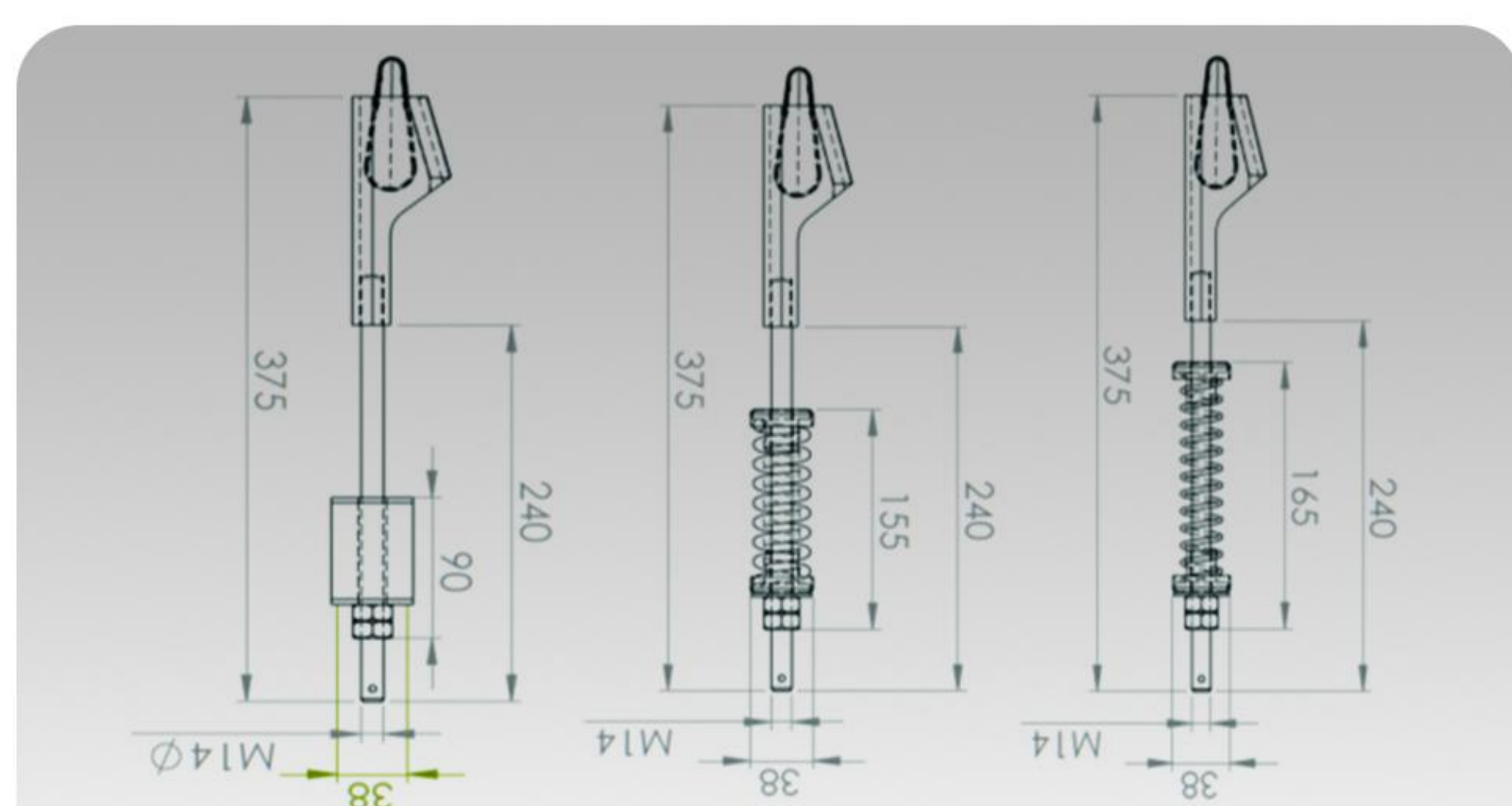
Symmetric wedge socket



Rope-?	d	L ₁	L ₂	L ₃	d ₁
6-8	M12	430	300	130	38
9-11	M16	465	300	160	42
12	M18	500	310	185	50
12-14	M20	595	400	200	50



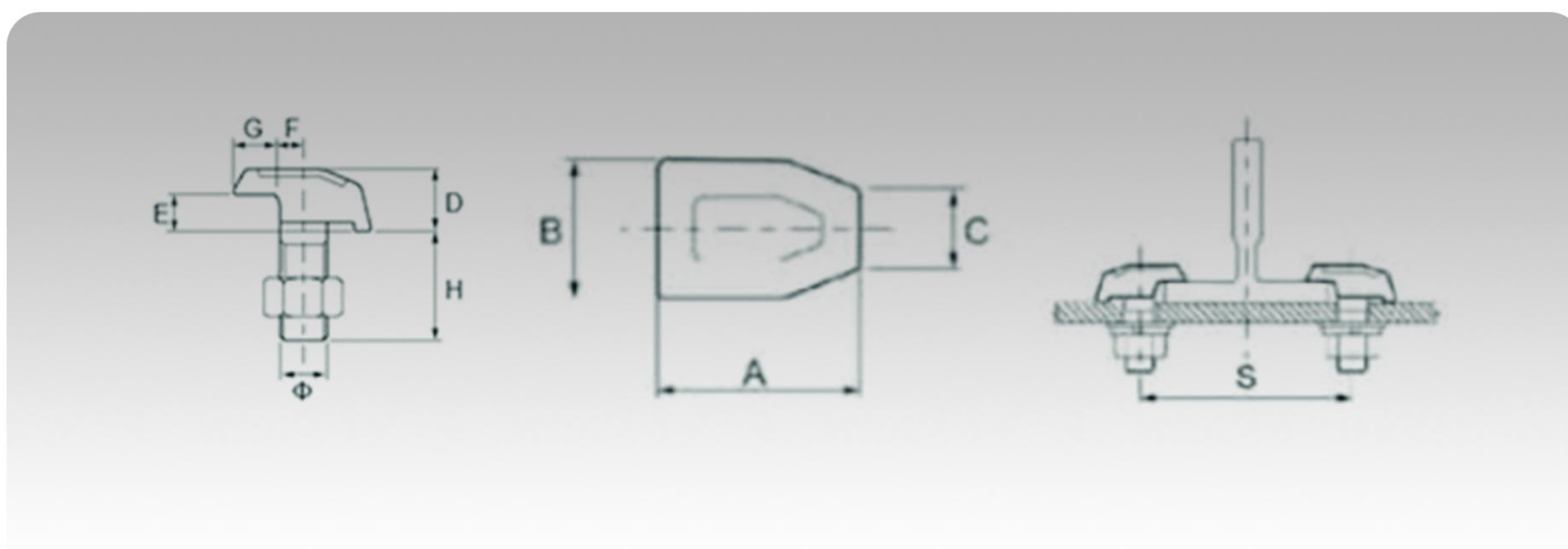
Asymmetric wedge socket For rope 10Ø



Rope-?	a	L ₁	L ₂	L ₃	d ₁
10	M16	375	240	155	38
10	M16	375	240	165	38
10	M16	375	240	90	38

- With spring wire 7 mm for traction system
- With spring wire 3 mm for hydraulic system
- With spring buffer for hydraulic system

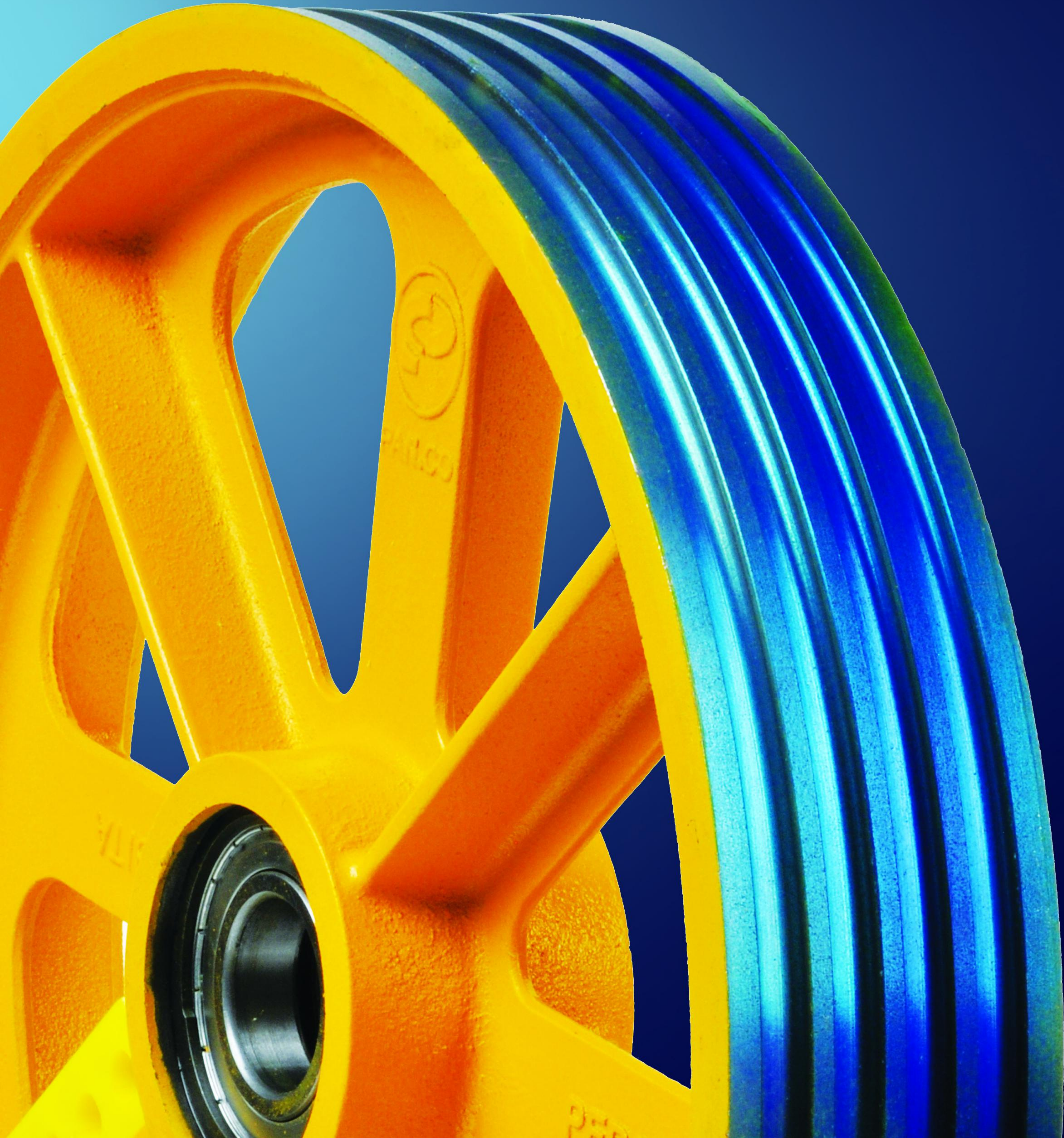
hot forged rigid guide rail clamping system



CODE	Designation	Dimensions (mm)									
		?	A	B	C	D	E	F	F	H	BOLT
T1	T45	10	32	22	15	12	5.5	5	11	23	M10
	T50										
T2	T70_1	12	36	26	16	15	7.3	6.5	13	27	M12
	T75_3										
	T82										
T3	T89	14	45	29	16	18.5	9.5	8	13	34	M14
	T90										
T4	T114	16	50	34	16	20.5	10.5	8.5	15	40	M16
	T125										
	T127										

PERDO LIFT

DIVERTER PULLEY



PERDO LIFT



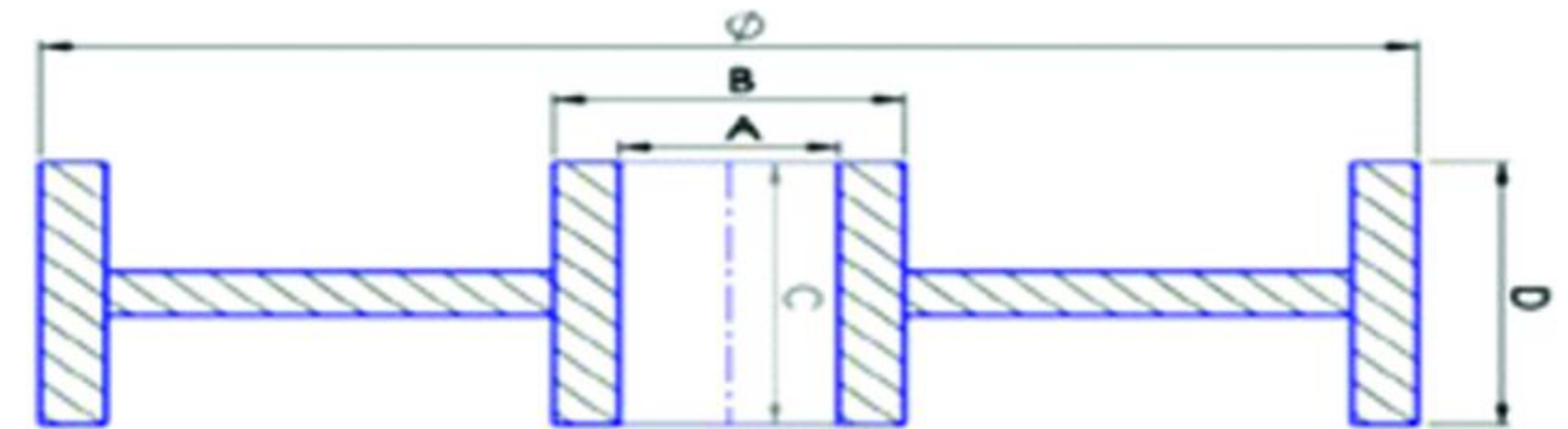
DIVERTER PULLEY

Deflection Pulley Technical Features :

- Can be made between 260 mm to 520 mm pulley diameter
- Special pulley and axle of every type according to detailed requests
- Upon request special shaft and pulley can be made
- GG25 cast iron used
- Pulley are with two or three bearings
- Silent and no vibration operation
- Machined in cnc turning machine
- Friction - resistant and wear - resistant
- Great rigidity and hardness, and high impact value
- Long aging and increase lifetime of wire rope

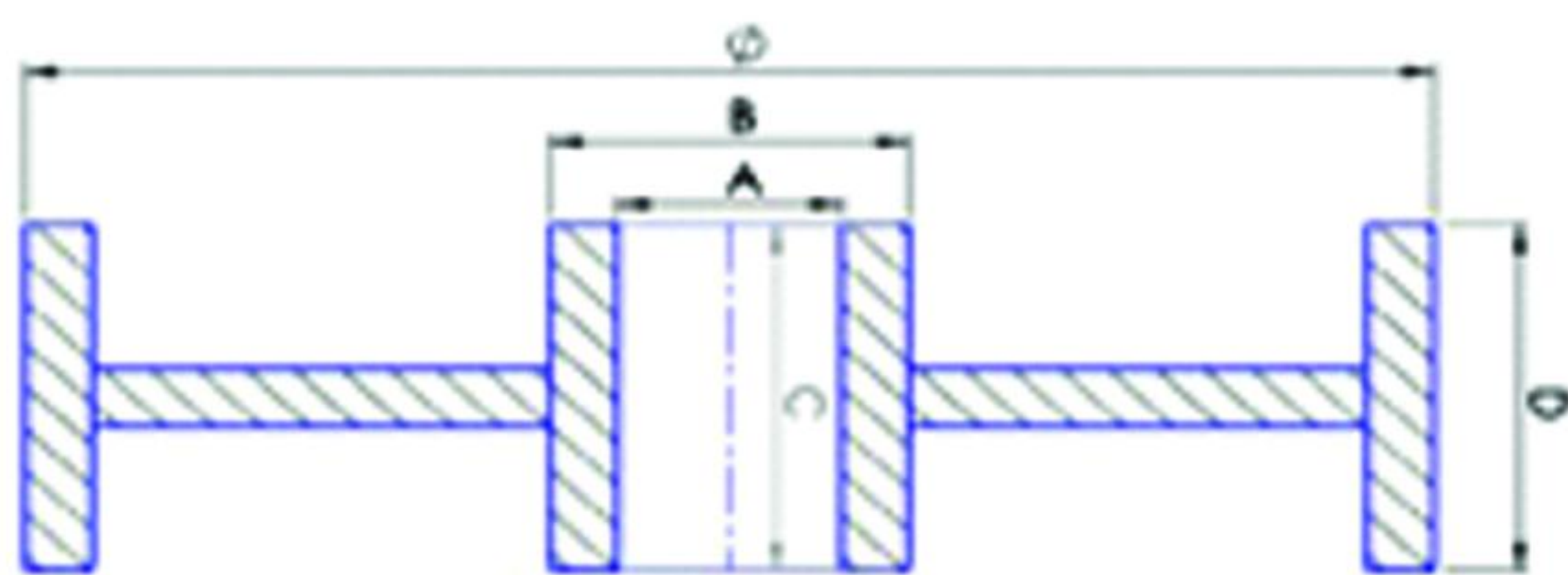


Deflection Pulley with 400 mm diameter for traction system



Deflection pulley Ø 400 mm							Bearing recommendation					
NO	Model	Ø	A	B	C	D						
1	2040	409	85	135	100	112	6212	6311	6310	6309		
2	2040											
3	2050	406	83	110	66	83	6211	6210	6309	6209	6308	6208
4	2050											
5	PERDO	403	75	100	67	75	6208					
8	2015	406	75	100	66	75	6209	6208				
9	2020	402	75	100	66	81						
10	2030	409	85	120	88	105	6211	6210	6309	6209	6308	6208
11	2030					123						

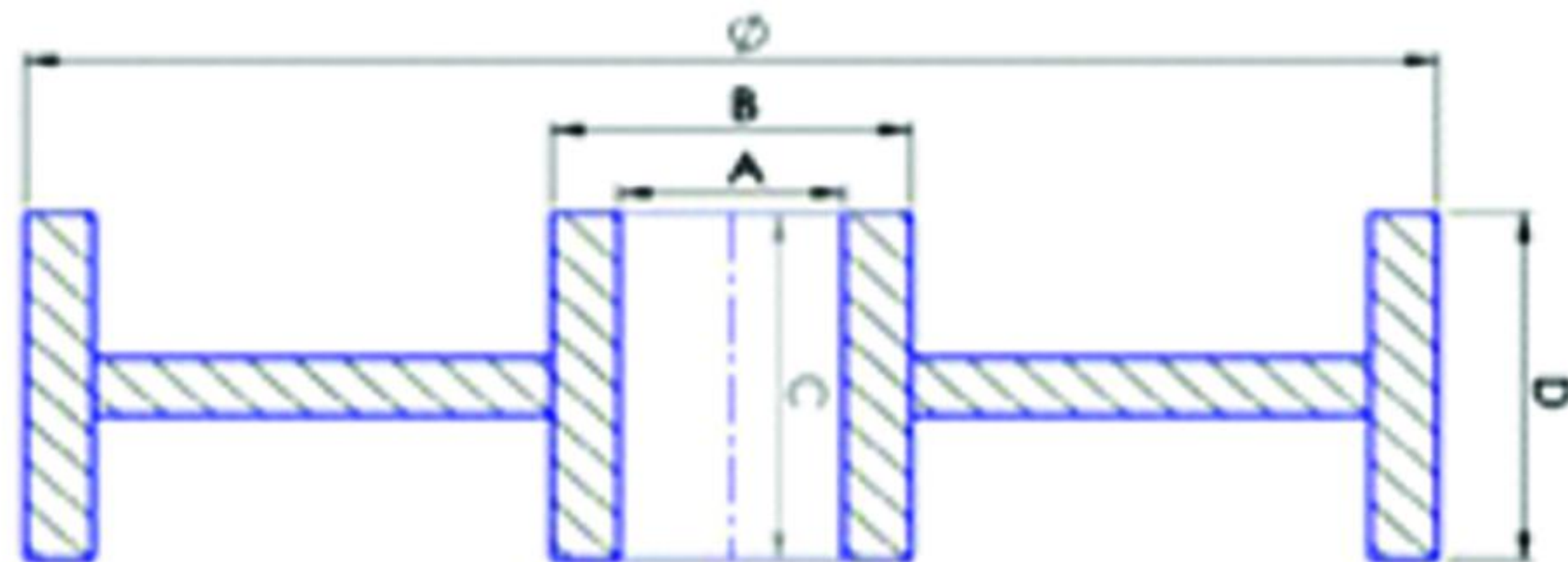
Deflection Pulley for gearless system



Deflection pulley Gearless							Bearing recommendation			
NO	Model	Ø	A	B	C	D				
1	Ø 260 mm	265	75	120	110	110	6208	6209	6309	6210
2	Ø 320 mm _ 2018	328	105	160	120	110	6013	6012		
3	Ø 320 mm _ 2018				150	6213	6212	6311		
4	Ø 320 mm _ 2018				140	170	6313	6312		
5	Ø 320 mm _ 2016	320	95	140	113	113			6011	6010
6	Ø 320 mm _ 2016					155			6213	6212
7	Ø 320 mm _ 2016					175			6311	6310

Deflection Pulley for Hydraulic system

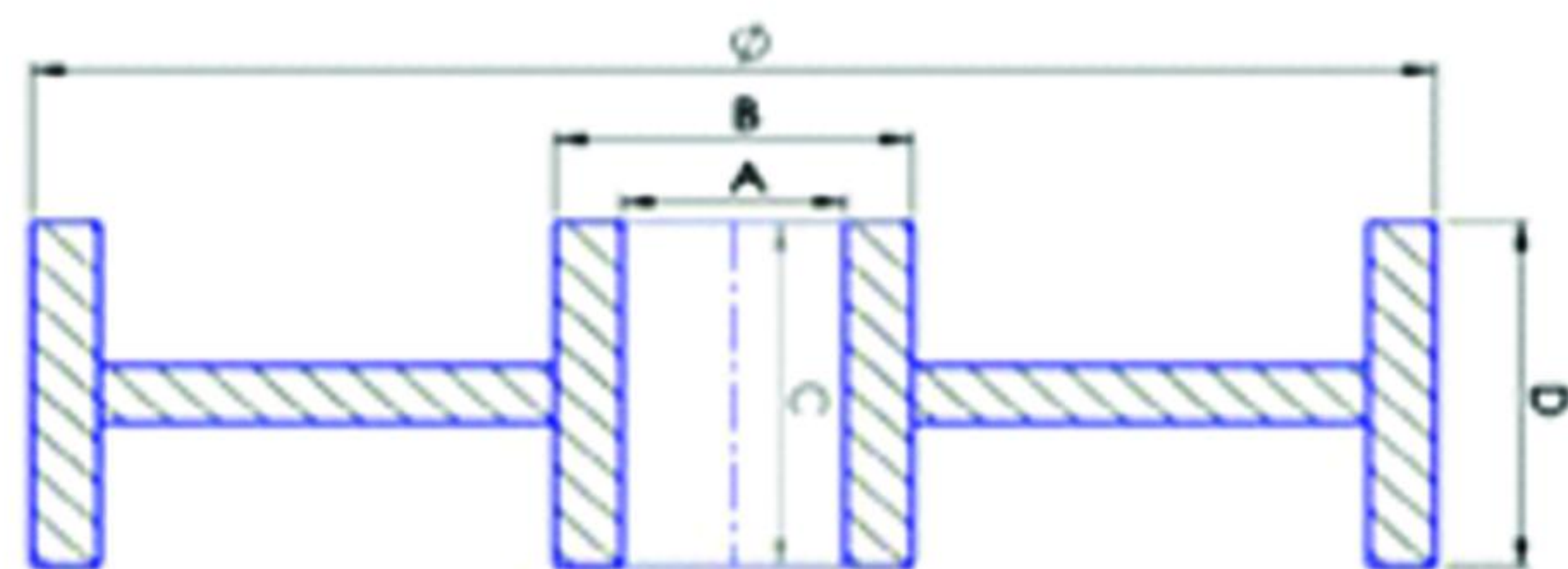
Solid pulleys with 2 to 4 ropes with spacer for a double wise rotation



Hydraulic Deflection pulley							Bearing recommendation					
NO	Model	Ø	A	B	C	D						
1	Ø 320 mm	326	76	130	90	80	6212	6211	6310	6210	6309	6308
2	Ø 320 mm					110						
3	Ø 360 mm	365	75	130	70	80	6212	6211	6310	6210	6309	6209
4	Ø 360 mm				93	99						
5	Ø 400 mm	402	83	127	75	80	6212	6211	6310	6210	6309	6209
6	Ø 400 mm				95	100						
7	Ø 400 mm _	402	84	110	56	46	6210 2B	6209 2B	6308 2B	6208 2B		
8	Ø 440 mm	444	105	140	80	54	6213	6212	6211	6310	6210	6309



Deflection Pulley for traction system



Hydraulic Deflection pulley							Bearing recommendation				
NO	Model	Ø	A	B	C	D					
1	Ø 300 mm	304	75	110	87	80	6210	6309	6209	6308	6208
2	Ø 300 mm					123					
3	Ø 300 mm	300	75	110	90	90	6210	6209	6308	6208	
4	Ø 320 mm	328	75	103	93	105	6209	6208	6308	6208	
5	Ø 320 mm	325	76	107	75	80	6210	6209	6308	6208	
6	Ø 440 mm	447	101	130	110	137	6212	6211	6310		
7	Ø 440 mm _	445	102	159	125	135	6313	6213	6312	6212	6311
8	Ø 440 mm					165					
9	Ø 480 mm	485	100	160	132	132	6313	6213	6312	6212	6311
10	Ø 480 mm					132					
11	Ø 520 mm _	524	103	165	125	125	6313	6213	6312	6212	6311
12	Ø 520 mm					152					
13	Ø 520 mm					170					

GUIDE SHOE



PERDO LIFT

www.perdolift.com

HYDRAULIC GUIDE SHOE

Sliding Guide Shoe

Guide rails : T16

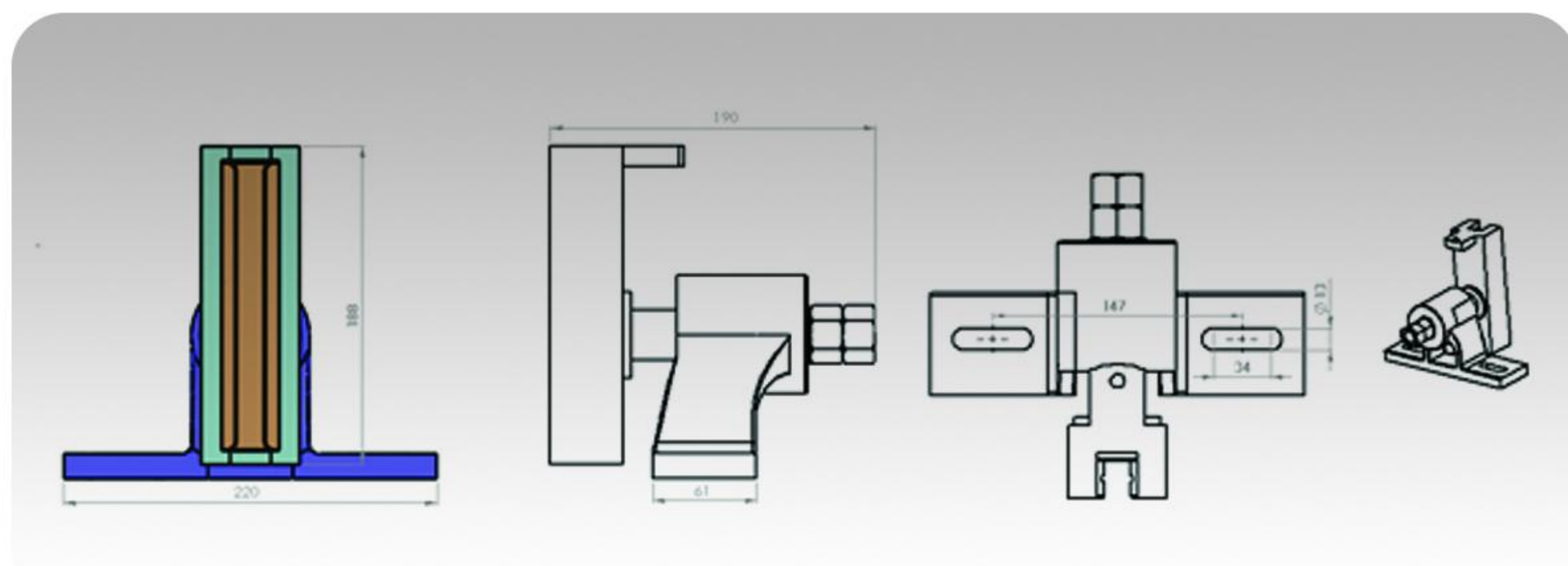
Rated speed : 1 m/s

Allowable gross mass ≤ 2000 kg

Material body : Ductil iron

Material shoe : Teflon

Weight : 6 kg



Sliding Guide Shoe

Guide rails : T16

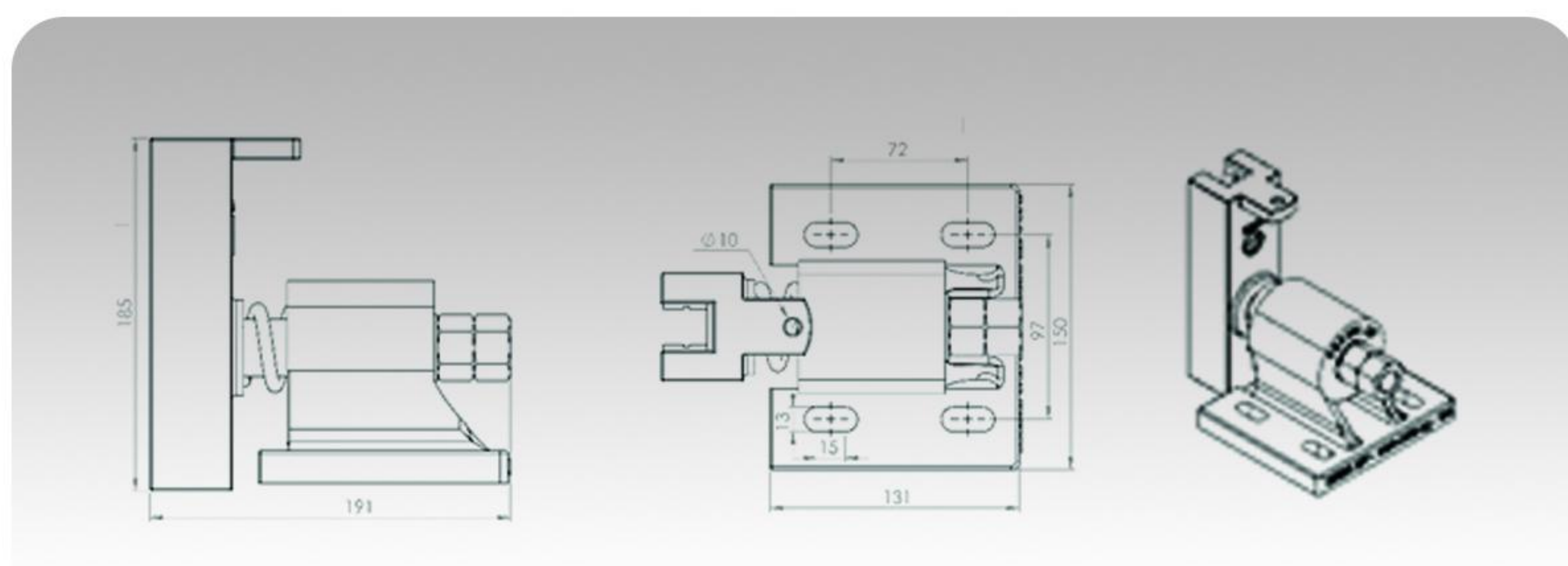
Rated speed : 1 m/s

Allowable gross mass ≤ 2000 kg

Material body : Ductil iron

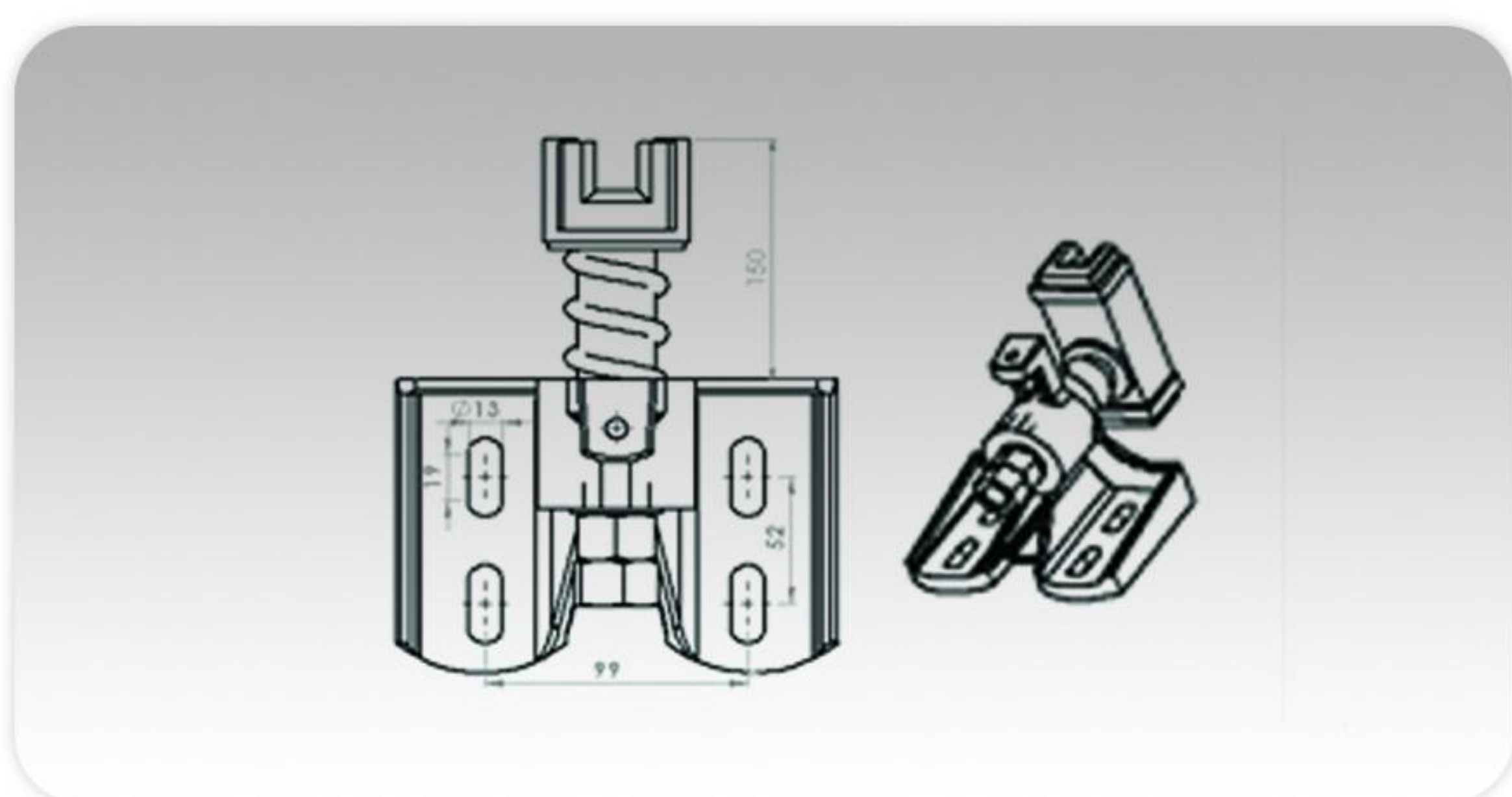
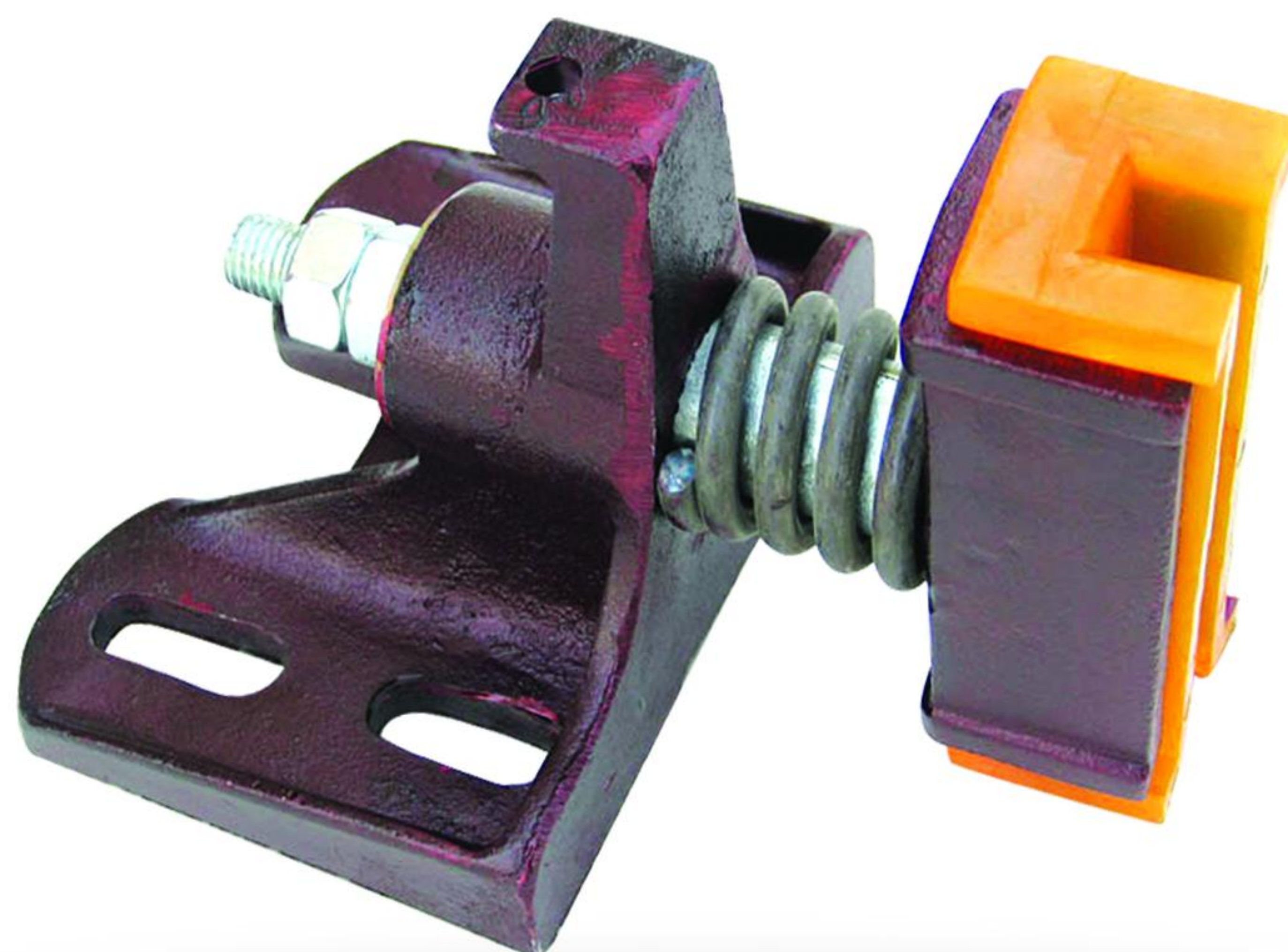
Material shoe : Teflon

Weight : 6.7 kg

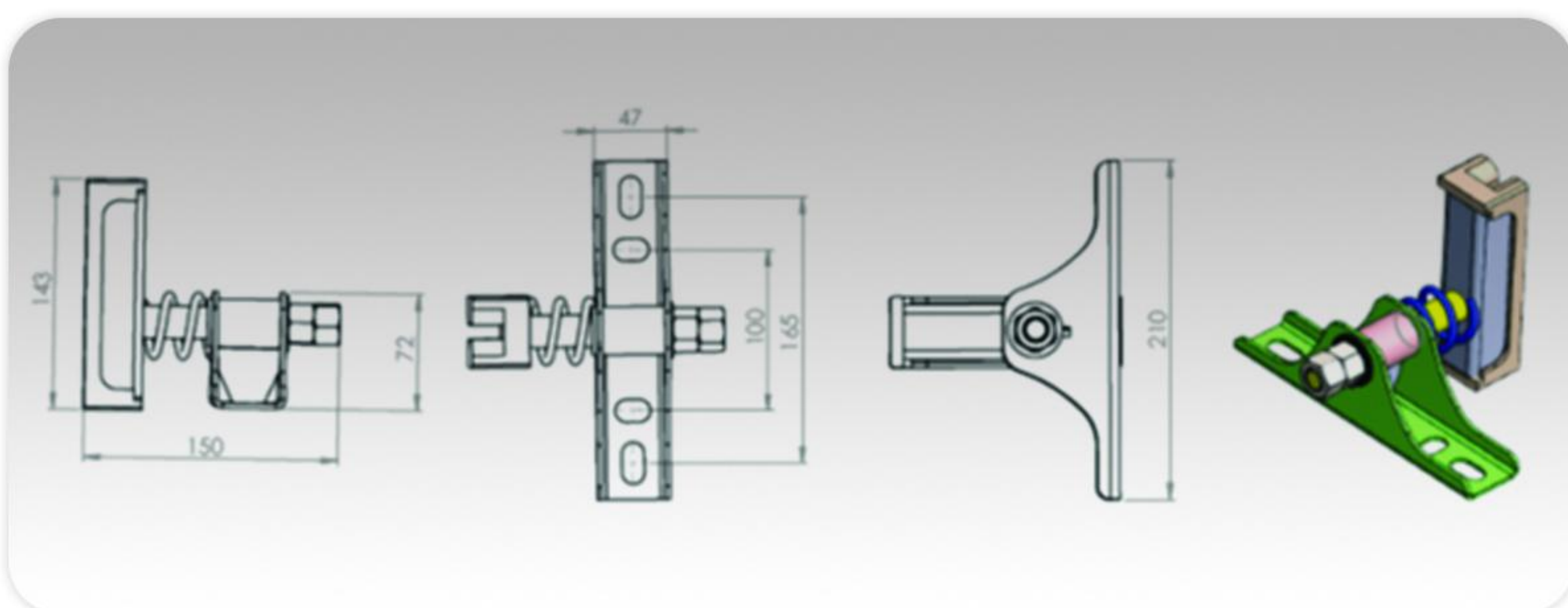


GUIDE SHOE

Sliding Guide Shoe
Guide rails : T16
Rated speed : 1 m/s
Allowable gross mass ≤ 2000 kg
Material body : Ductil iron
Material shoe : PVC
Weight : 4.9 kg



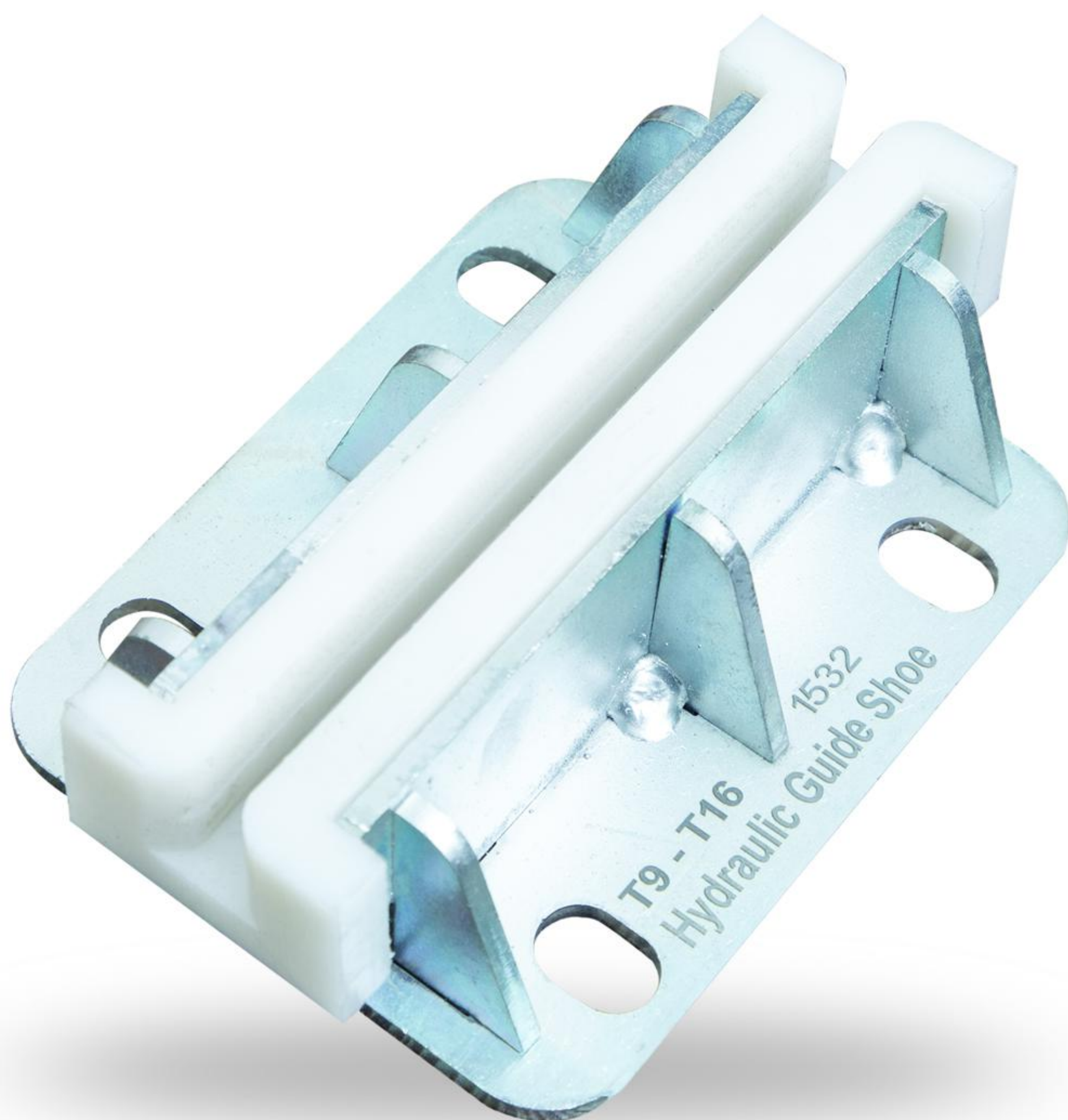
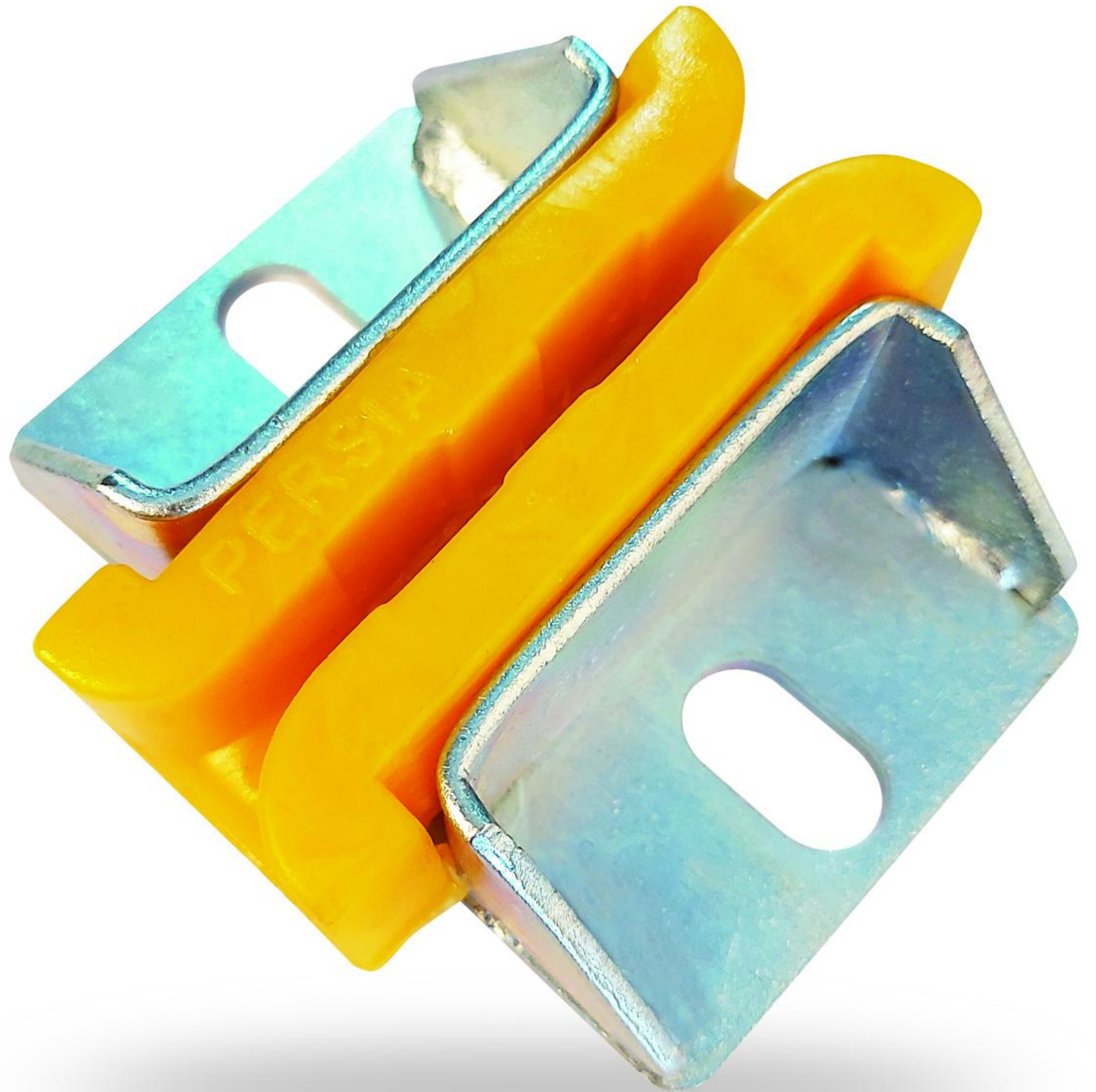
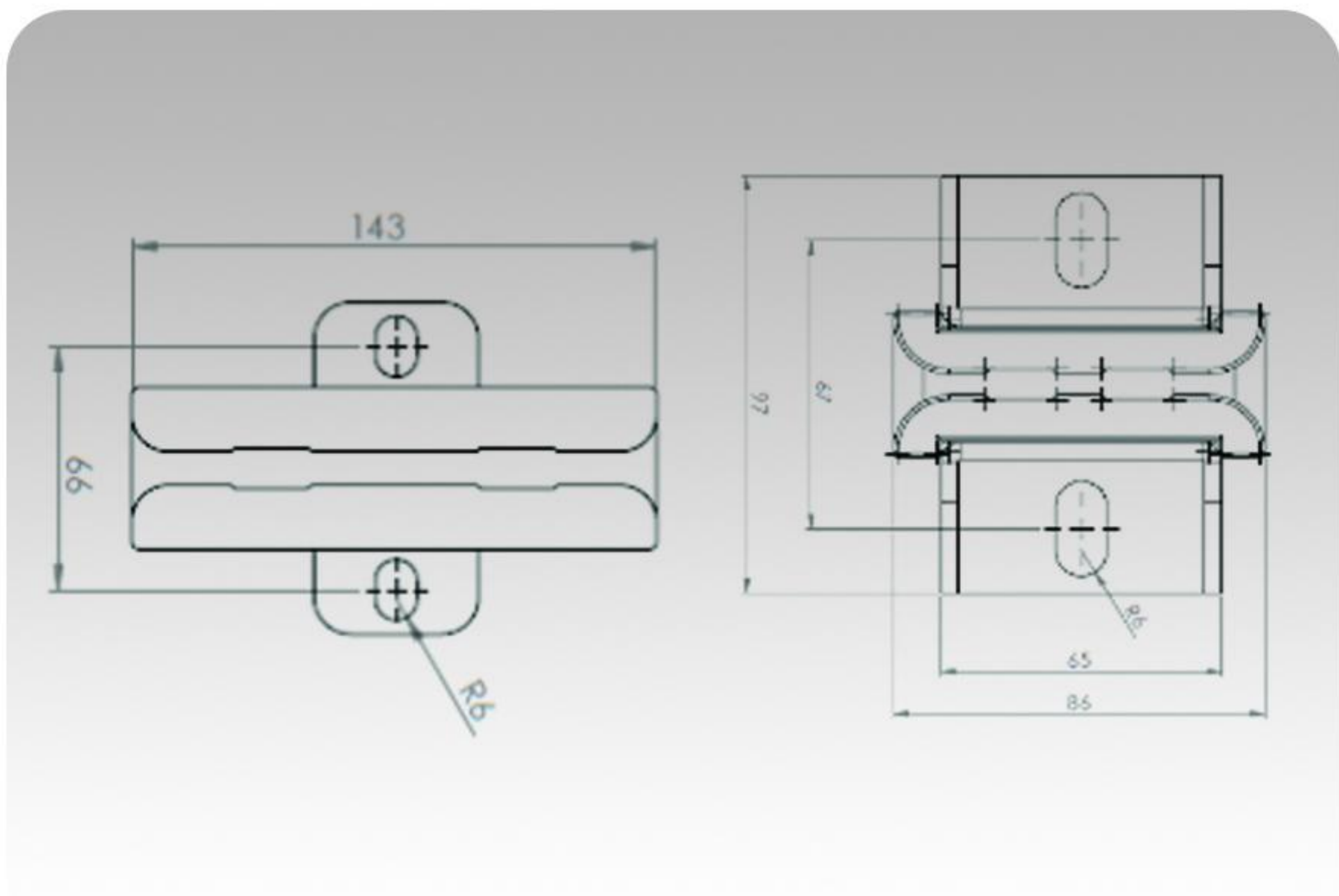
Sliding Guide Shoe
Guide rails : T9
Rated speed : 1 m/s
Allowable gross mass ≤ 1000 kg
Material body : Steel
Material shoe : PVC
Weight : 1.5 kg



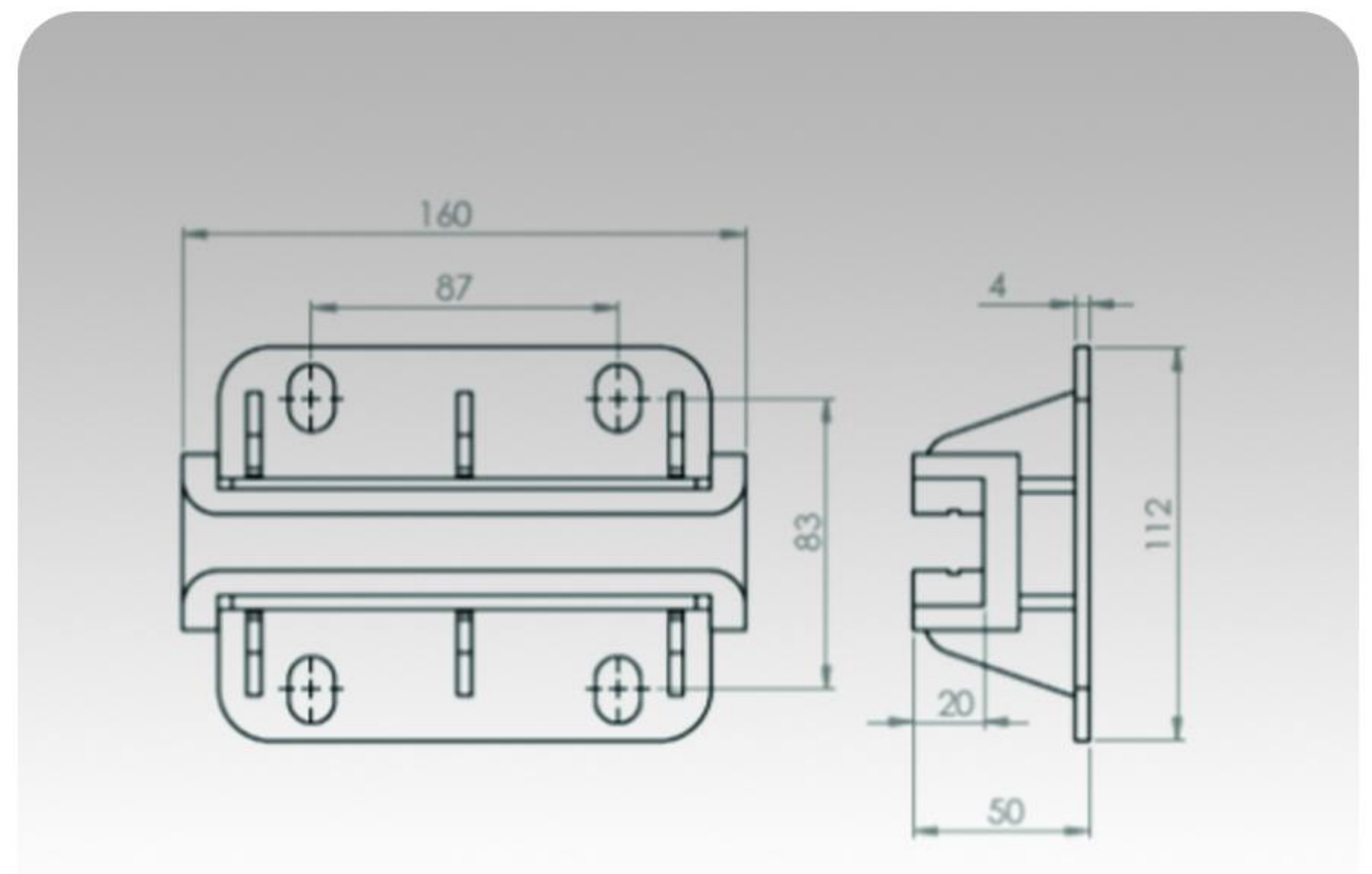
PERDO LIFT

GUIDE SHOE

Counter weight Guide Shoe
Guide rails : T5 & T9
Rated speed : 1 m/s
Allowable gross mass ≤ 2000 kg
Material body : Steel
Material shoe : PVC
Weight : 0.35 – 0.5 kg



Hydraulic Guide Shoe
Guide rails : T9 & T16
Rated speed : 1 m/s
Allowable gross mass ≤ 2000 kg
Material body : Steel
Material shoe : Teflon
Weight : 1.1 kg





P.A.N

**Fulya Mah. Ortaklar Cad. No:16/5. Şişli.
34394. İstanbul 05324366357**

No. 954,damavand st,Tehran,Iran.

Tel:+982177269481 - +989123262031

 www.perdolift.com

